

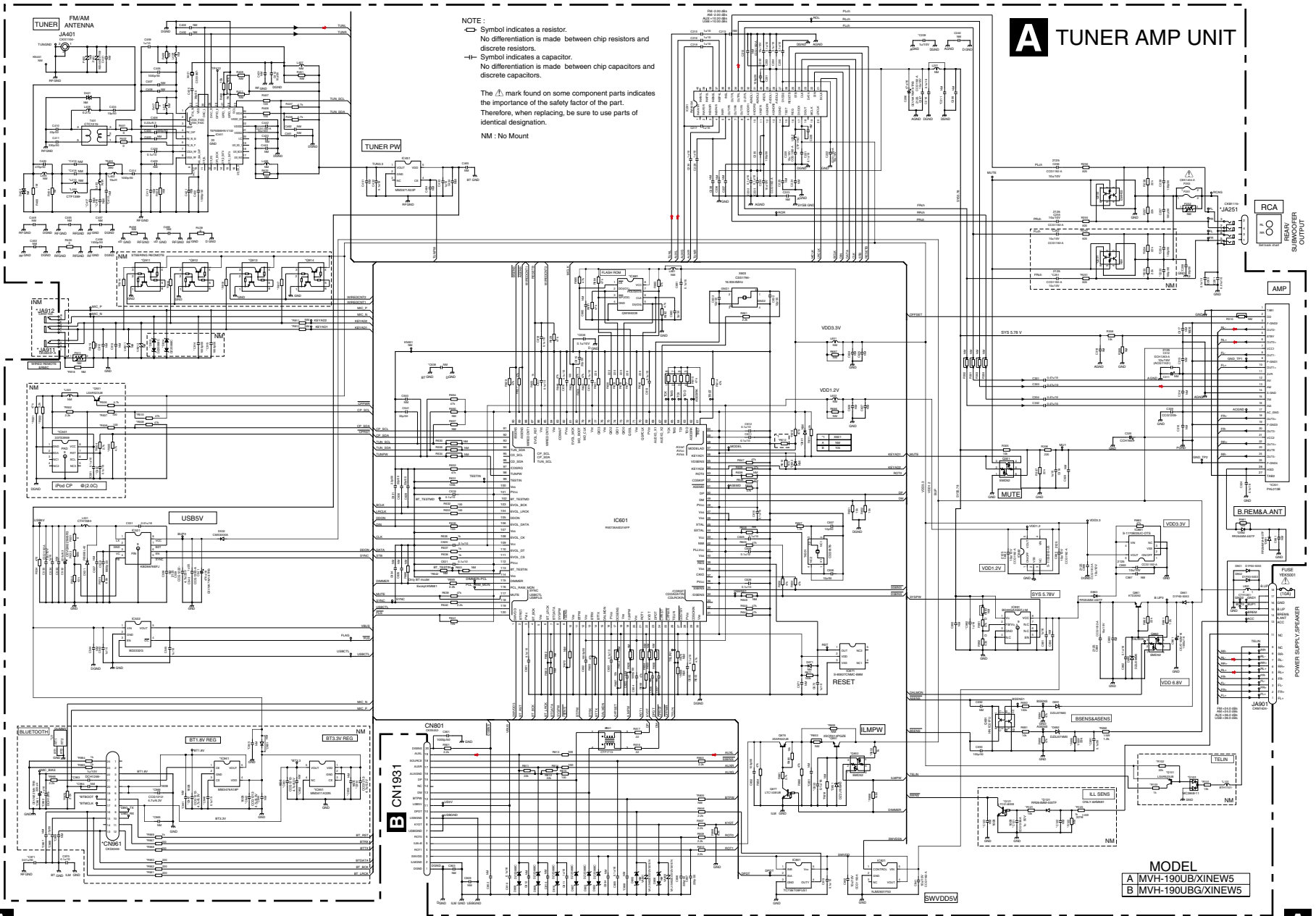
10. SCHEMATIC DIAGRAM

10.1 TUNER AMP UNIT

10. SCHEMATIC DIAGRAM

Note: When ordering service parts, be sure to refer to "EXPLODED VIEWS AND PARTS LIST" or "ELECTRICAL PARTS LIST".

NOTE :
 ↷ Symbol indicates a resistor.
 No differentiation is made between chip resistors and discrete resistors.
 ↷ Symbol indicates a capacitor.
 No differentiation is made between chip capacitors and discrete capacitors.
 ⚠ The ⚠ mark found on some component parts indicates the importance of the safety factor of the part.
 Therefore, when replacing, be sure to use parts of identical designation.
 NM : No Mount



MODEL

A	MVH-190UB/XINEW5
B	MVH-190UBG/XINEW5

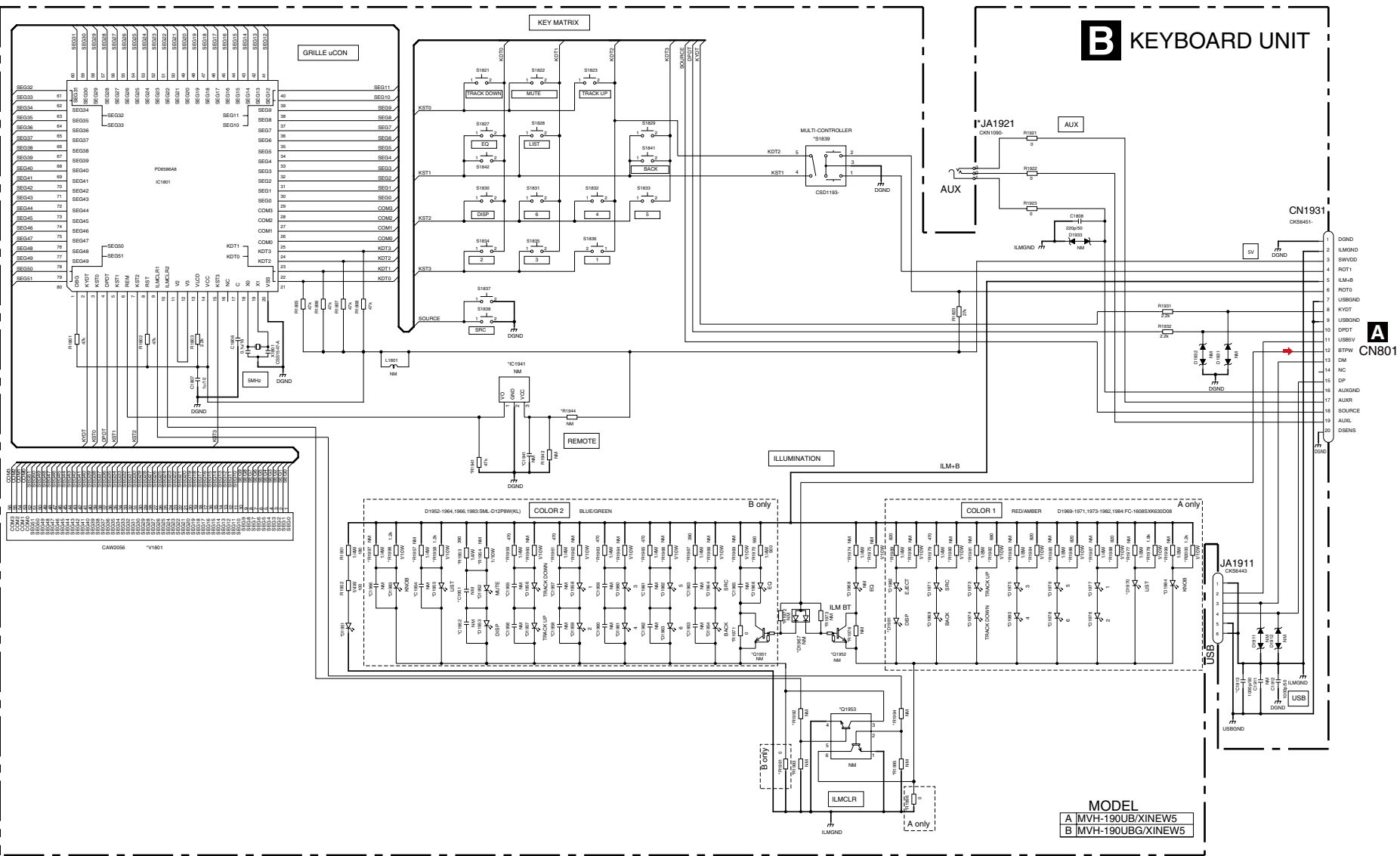
MVH-190UB/XINEW5

20
1
2
3
4

A

A

B KEYBOARD UNIT



A CN801

MODEL
 A MVH-190UB/XINEW5
 B MVH-190UBG/XINEW5

MVH-190UB/XINEW5