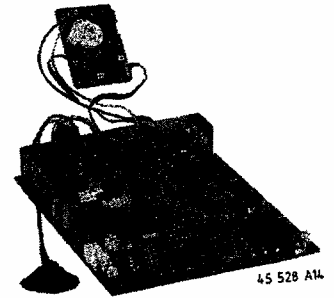


Service  
Service  
**Service**

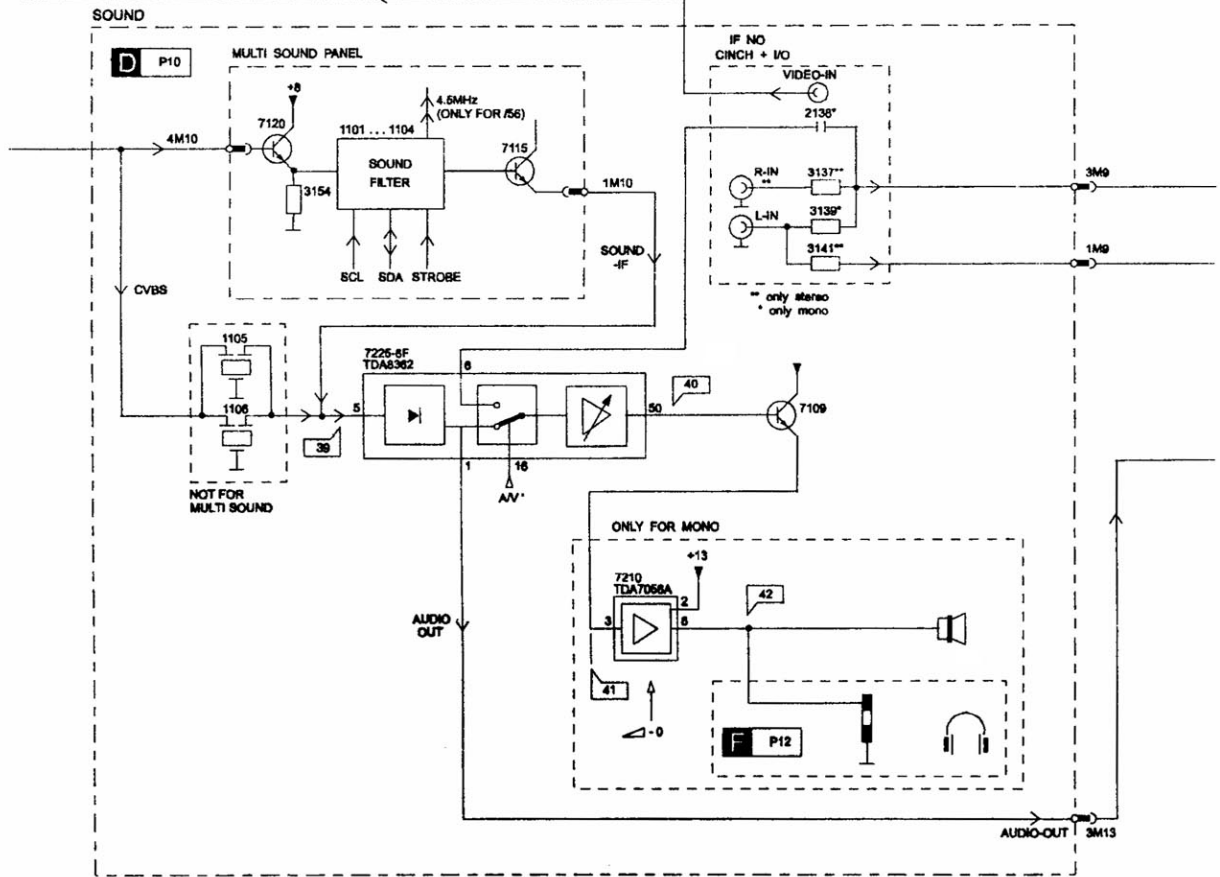
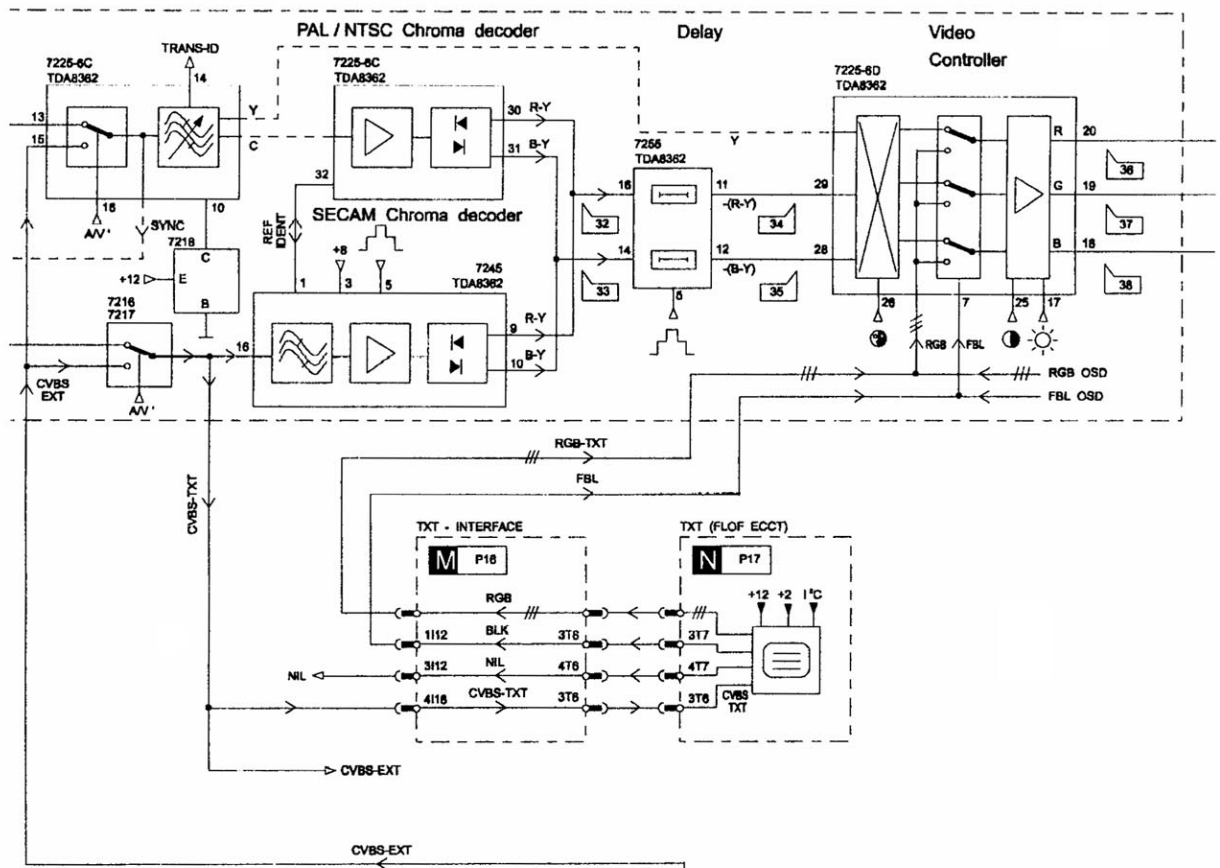


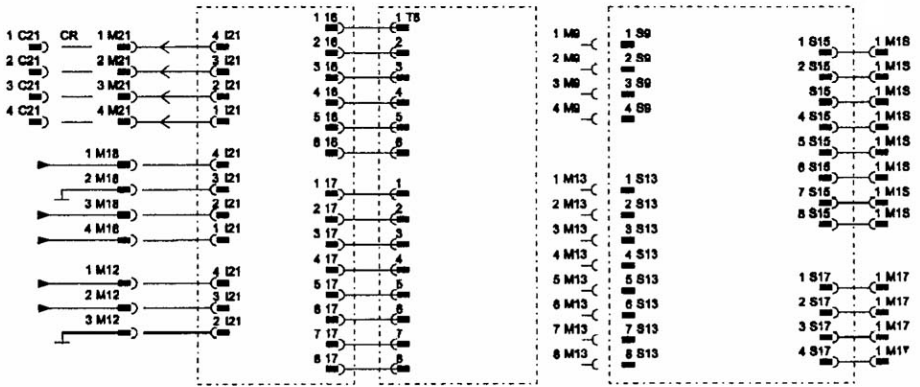
# Service Manual

<b>Table of contents</b>	<b>Page</b>
2. Technical data and connections	2.1
3. Warnings and remarks	3.1
4. Mechanical instructions	4.1
5. Detailed blockdiagram for fault diagnoses	5.1
6. Electrical diagrams and print lay-outs	
Controls (diagram A)	6.3
Power supply and synchronisation (diagram B)	6.7
Tuner, IF and source selection (diagram C)	6.11
Video, sound and CRT panel (diagram D)	6.15
7. Electrical instructions	7.2
8. Quick diagnosis	8.1
9. Operating instructions	9.1
10. Spare parts lists	10.1



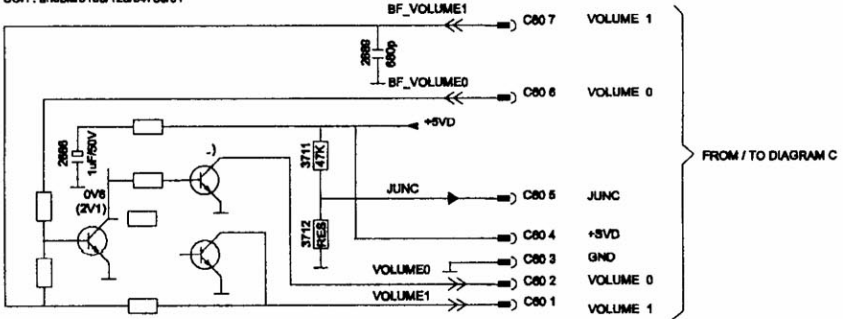






**VOLUME CONTROL PANEL**

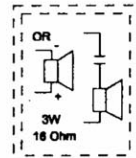
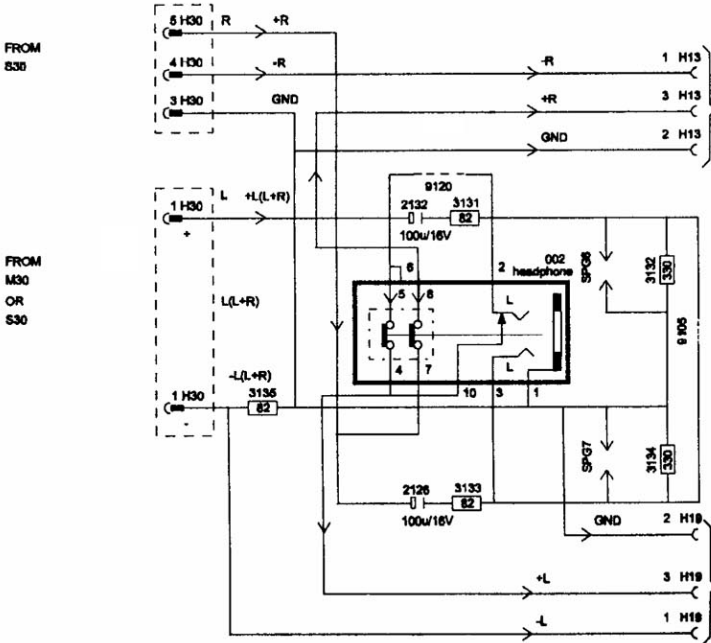
SCH : anubis/3139/123/34780/01



.V. = SOUND  
(.V.) = MUTE

**HEADPHONE PANEL**

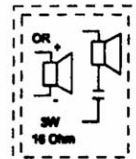
SCH : anubis/3139/123/34780/01



STEREO (R)

INTERNAL LOUDSPEAKERS

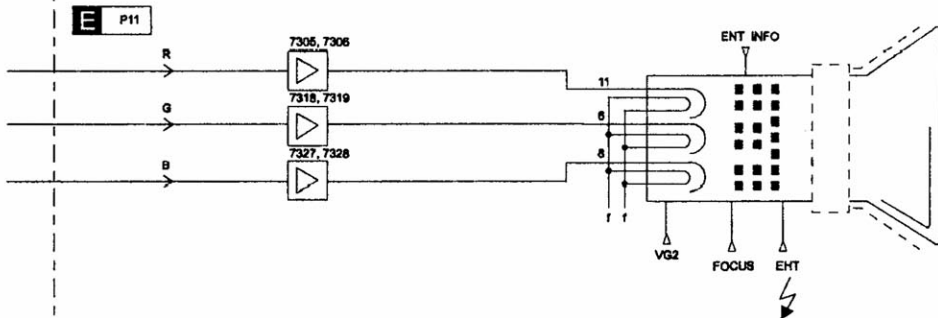
	MONO	STEREO
2128	-	100u/16V
2128	-	82
3131	-	82
3132	66	330
3133	-	82
3134	-	330
3136	82	-
9105	JMP	-
9110	JMP	-
X13	-	WTB
X14	WTB	WTB



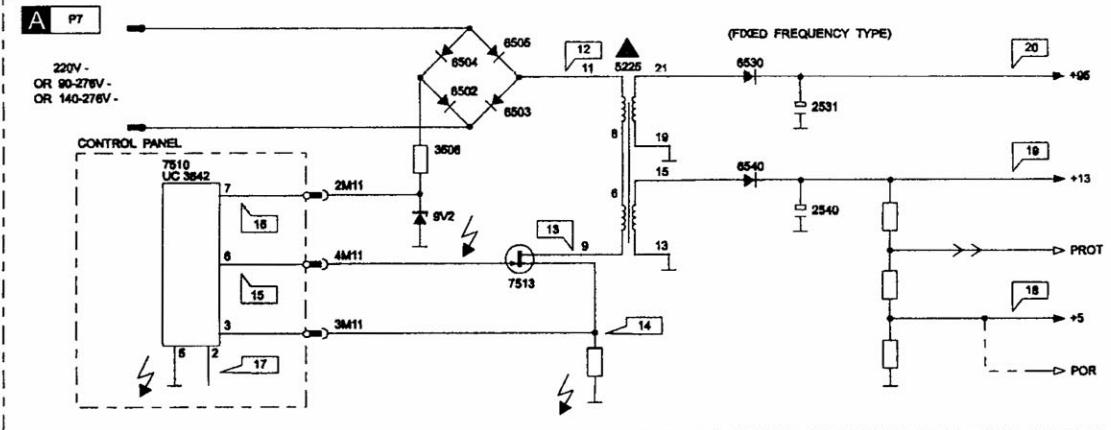
MONO (L+R)  
STEREO (L)

INTERNAL LOUDSPEAKERS

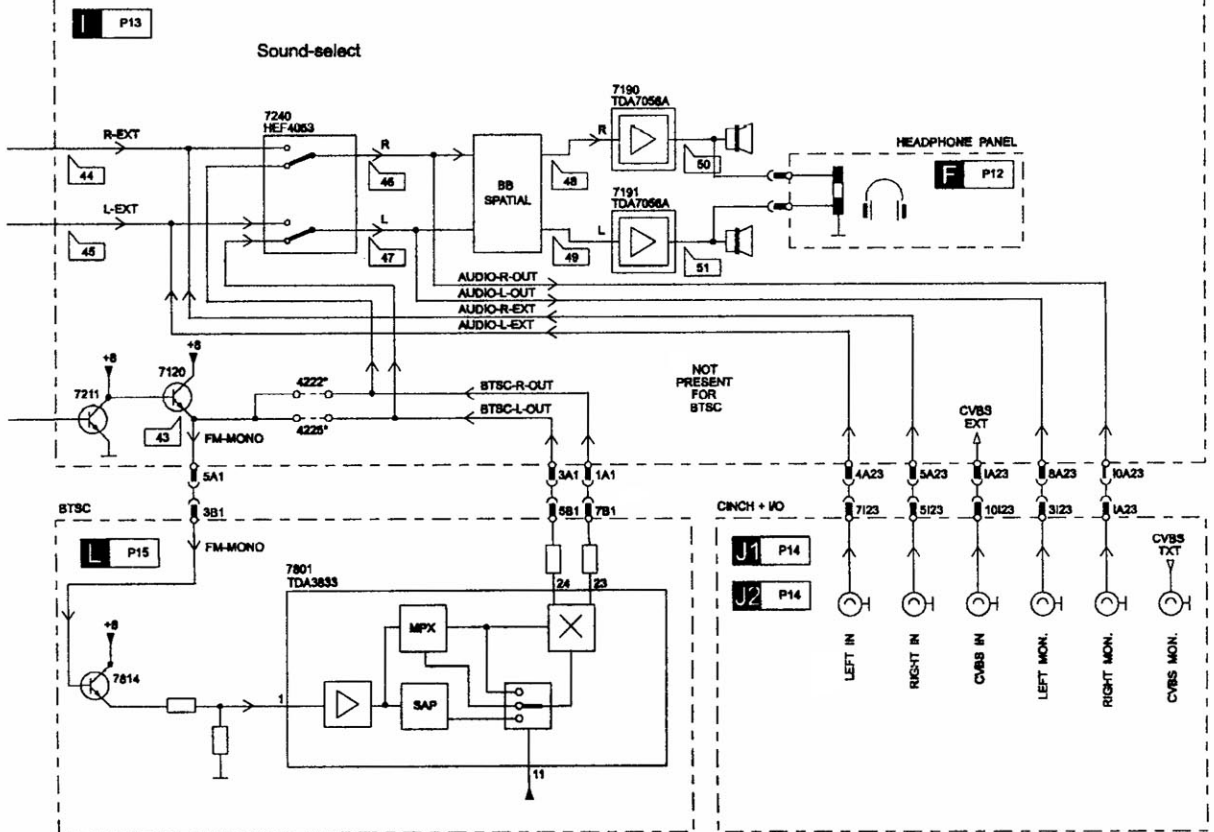
CRT



POWER SUPPLY



INTERFACE + AMPLIFIER



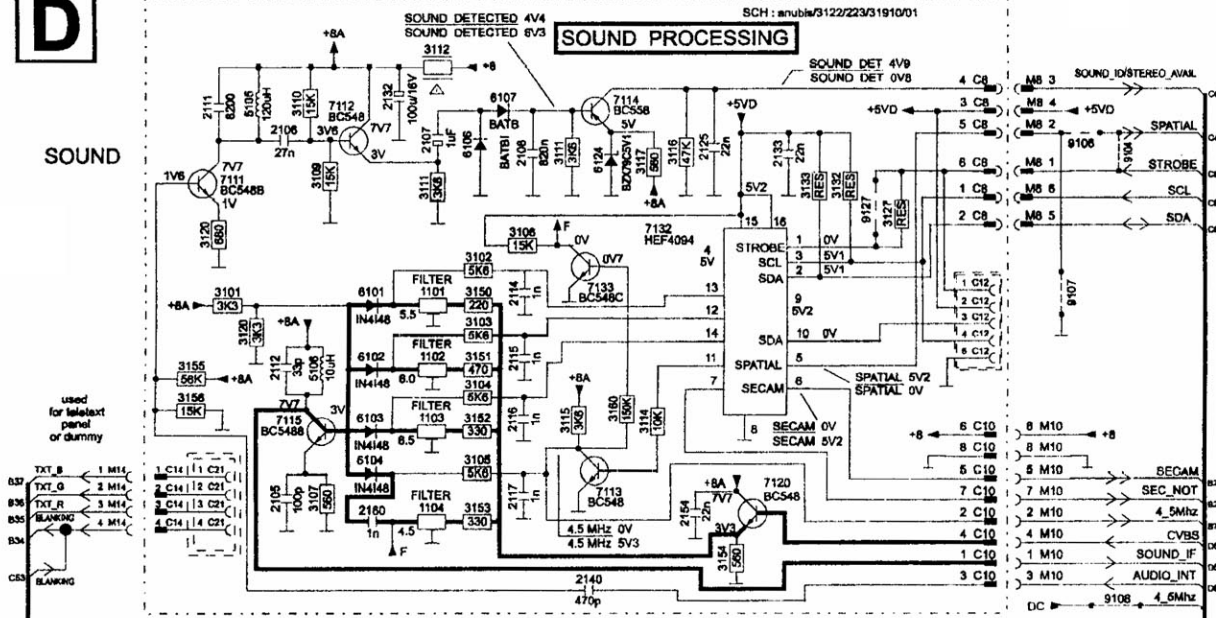
**D**

MULTISOUND PANEL

SOUND

**SOUND PROCESSING**

SCH : anublt/3122/223/31910/01



used for teletext panel or dummy

TXT\_B 1 M14  
TXT\_G 2 M14  
TXT\_R 3 M14  
BLANKING 4 M14

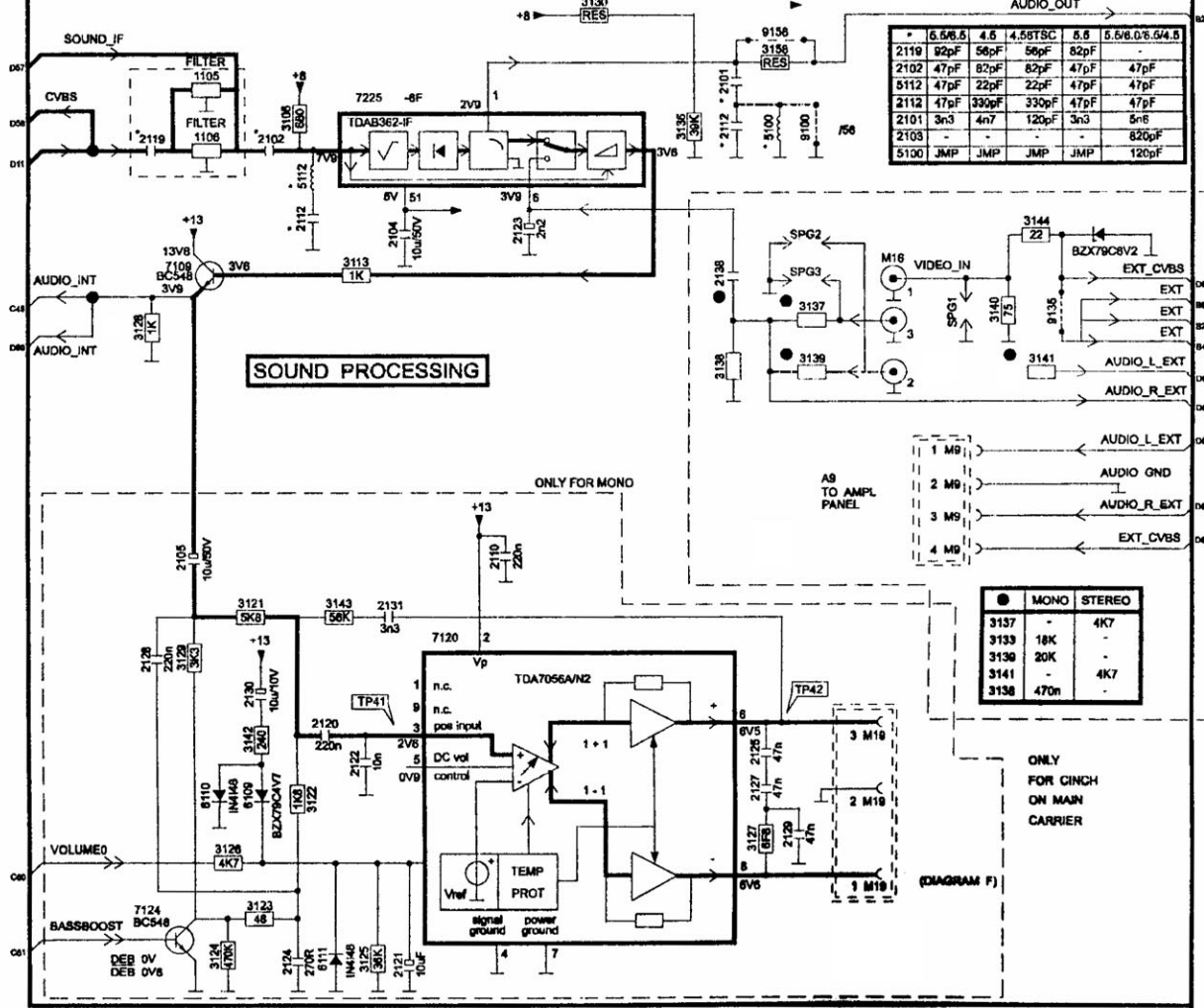
C14 1 1 C2  
C14 1 2 C2  
C14 1 3 C2  
C14 1 4 C2

BLANKING

AUDIO\_OUT

	5.5/6.5	4.5	4.5/5TSC	5.5	5.5/6.5/6.5/4.5
2119	92pF	56pF	56pF	82pF	47pF
2102	47pF	82pF	82pF	47pF	47pF
5112	47pF	22pF	22pF	47pF	47pF
2112	47pF	330pF	330pF	47pF	47pF
2101	3n3	4n7	120pF	3n3	5n6
2103	-	-	-	-	820pF
5130	JMP	JMP	JMP	JMP	120pF

**SOUND PROCESSING**



ONLY FOR MONO

1 M9  
2 M9  
3 M9  
4 M9

A8 TO AMPL PANEL

EXT CVBS  
EXT  
EXT  
EXT  
AUDIO\_L\_EXT  
AUDIO\_R\_EXT  
AUDIO\_L\_EXT  
AUDIO\_GND  
AUDIO\_R\_EXT  
EXT CVBS

	MONO	STEREO
3137	-	4K7
3133	18K	-
3130	20K	-
3141	-	4K7
3138	470n	-

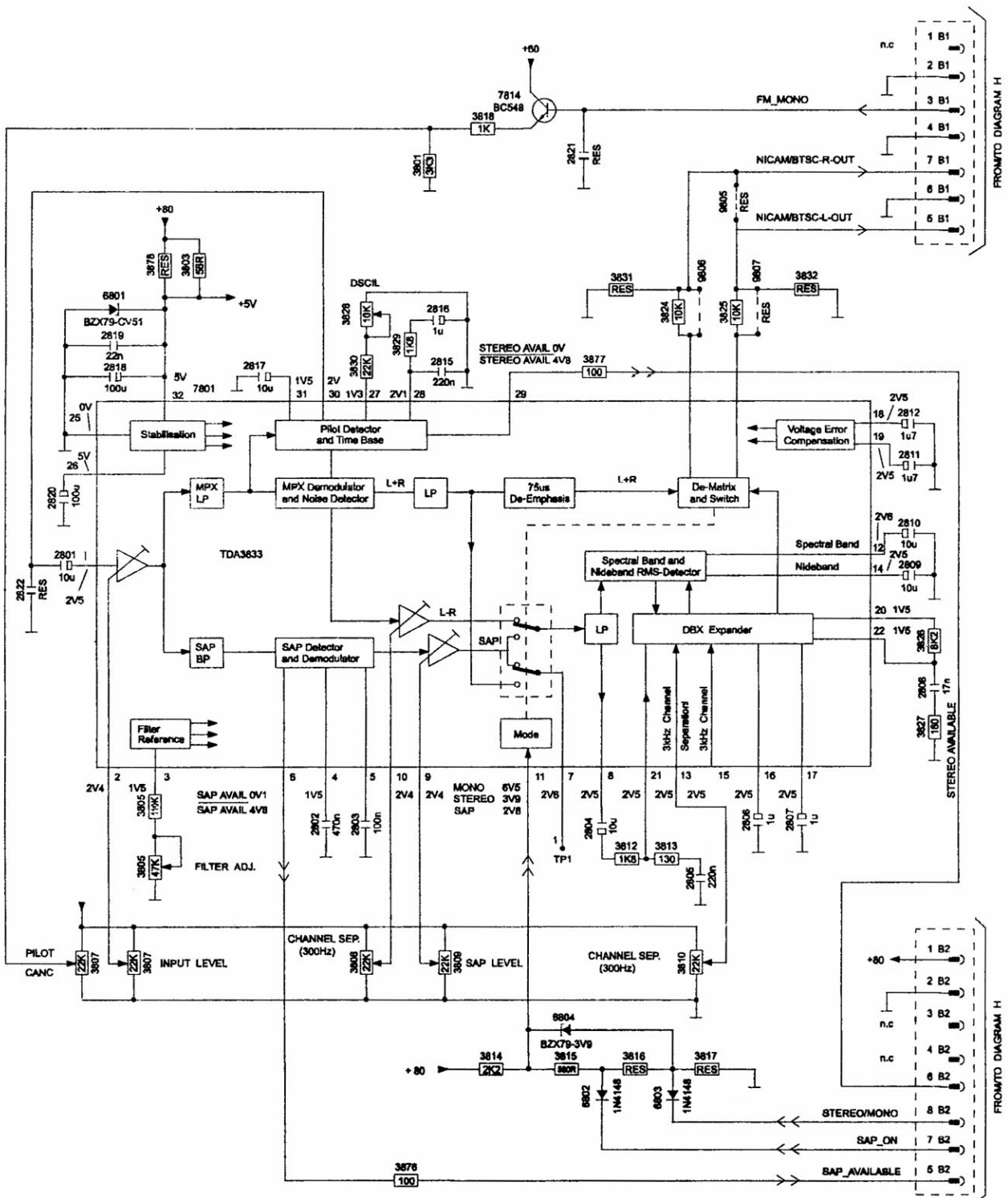
ONLY FOR CINCH ON MAIN CARRIER

**MONO SOUND AMPLIFIER**

TO DIAGRAM A/B/C/D/F



# BTSC



FROM I/O DIAGRAM H

FROM I/O DIAGRAM H



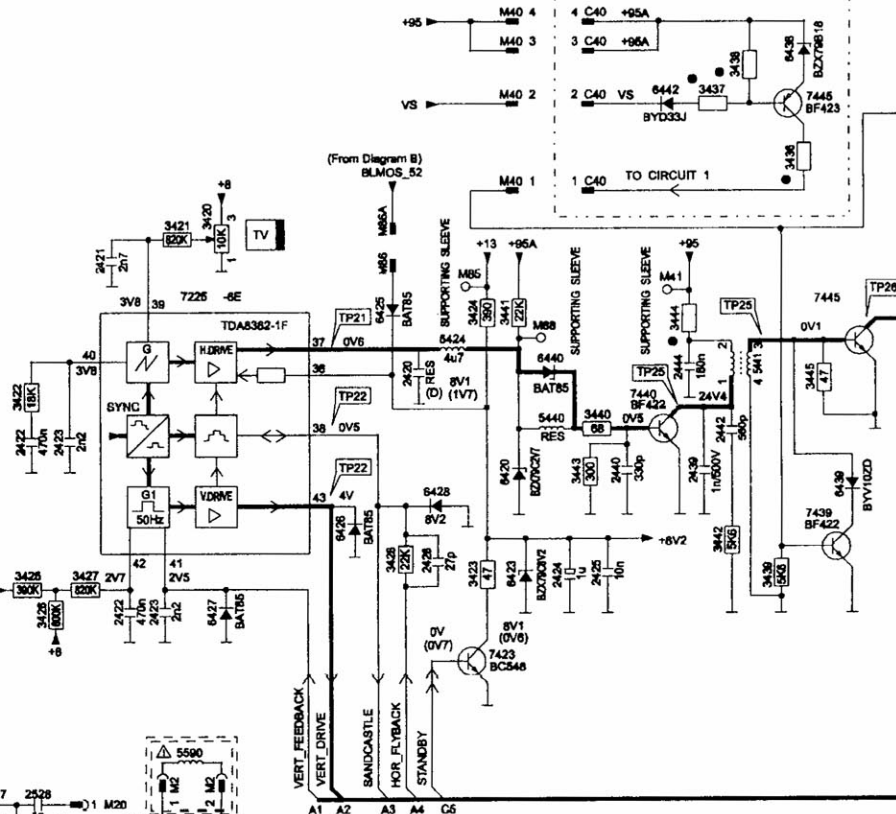
# A

POWER-SUPPLY/SYNC/HOR-DEFL

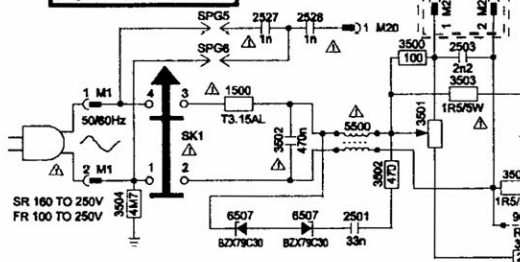
SYNC/LINE-DRIVE + OUTPUT

●	14'	20'	21'	21'/63
2445	500pF	1n	680p	1n5
2446	3n3	4n7	4n7	5n6
2450	470n	470n	580n	380n
2447	680pF	330pF	1n	1n5
2457	15n	15n	18n	18n
2458	5n6	5n6	5n6	5n6
3436	8k2	12k	8k2	8k2
3437	1k	1k5	1k8	1k8
3438	2k2	2K2	2K4	2K4
3444	4K7	6K6	8K8	8K6
3453	.	2K2	2K2	2K2
3454	.	2K2	2K2	2K2
3480	.	20K	20K	20K
3470	.	.	8R2	8R2
5454	.	.	22211	22211
7445	BUT11AF	25C38738	25C38736	28C38738
9454	JMP	.	.	.

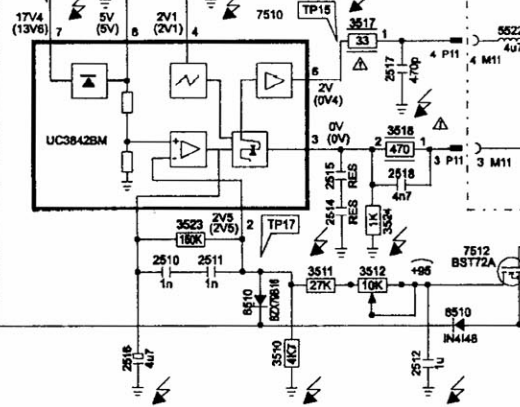
SCAN PROT CCT SCH: 3139/123/365110/01



**POWER SUPPLY**

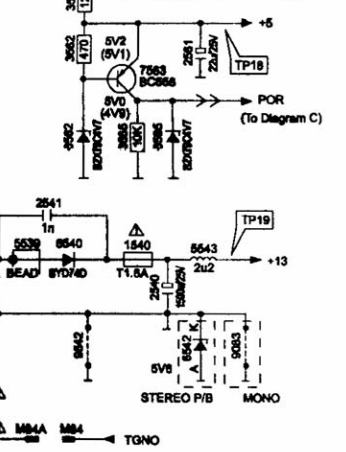


**POWER SUPPLY CONTROL**



SCH: anubla/3122/223/31920/01

■	SPOCK	5V SPOCK
6530	BYD74G	BYW95C
6531	BYD74G	

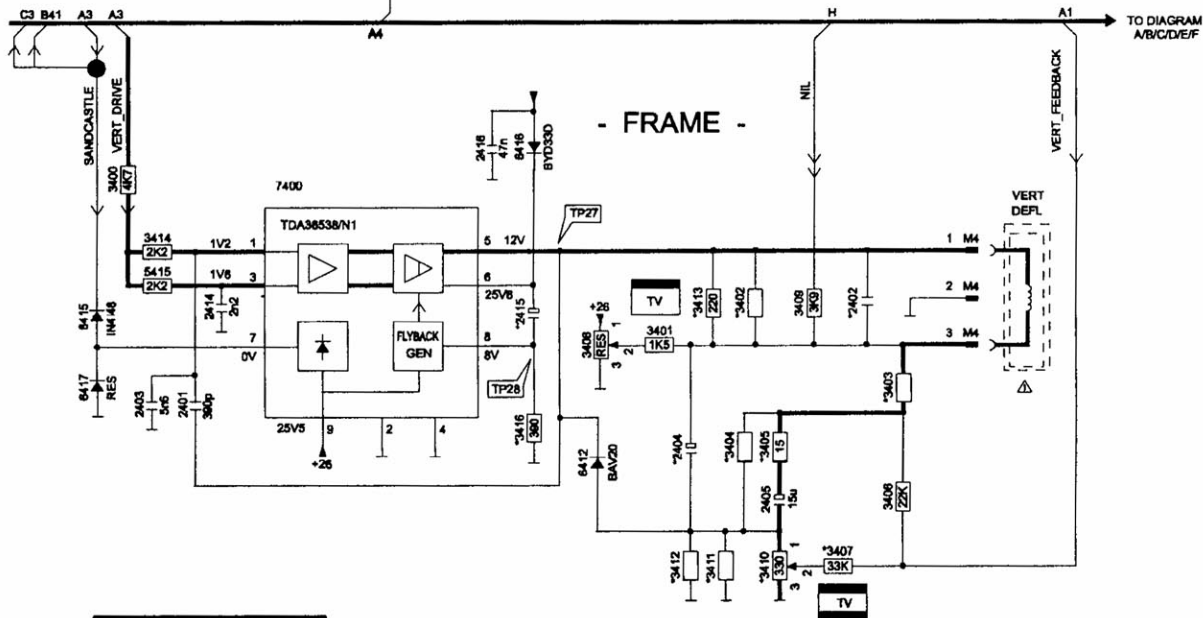
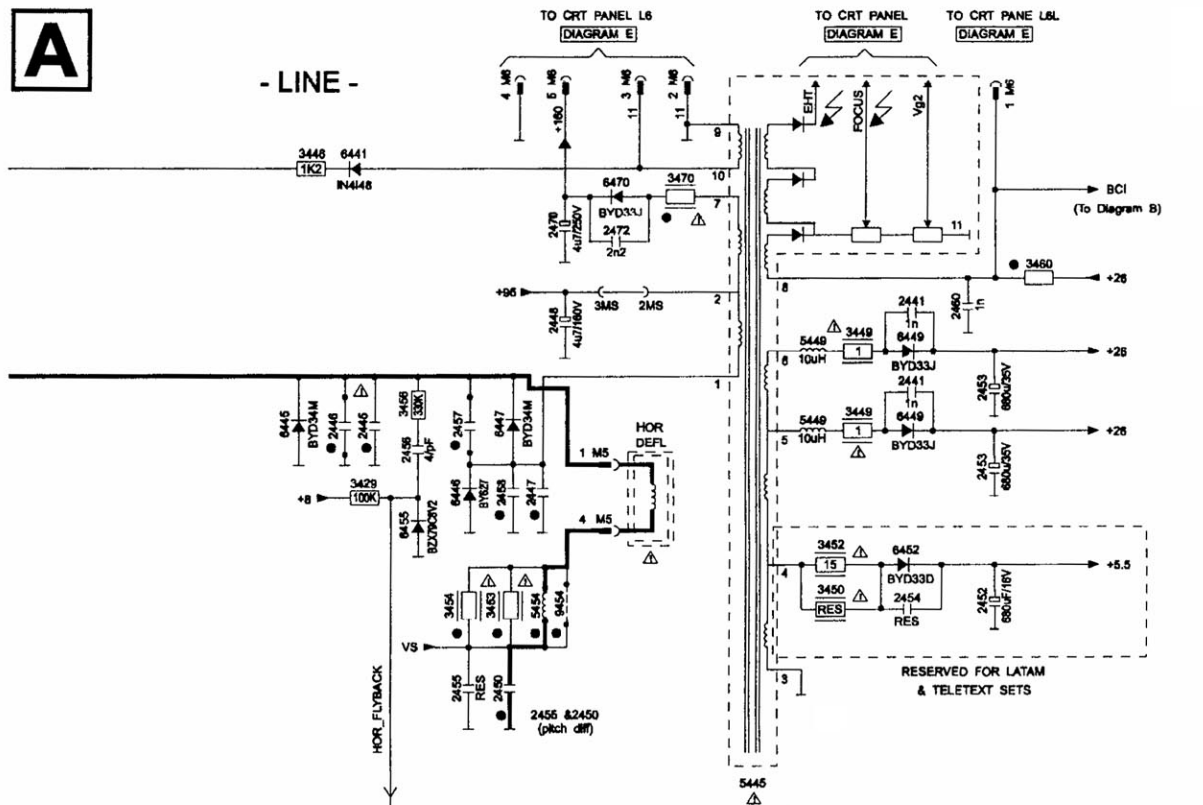


STEREO P/B MONO

TGNO

**A**

- LINE -



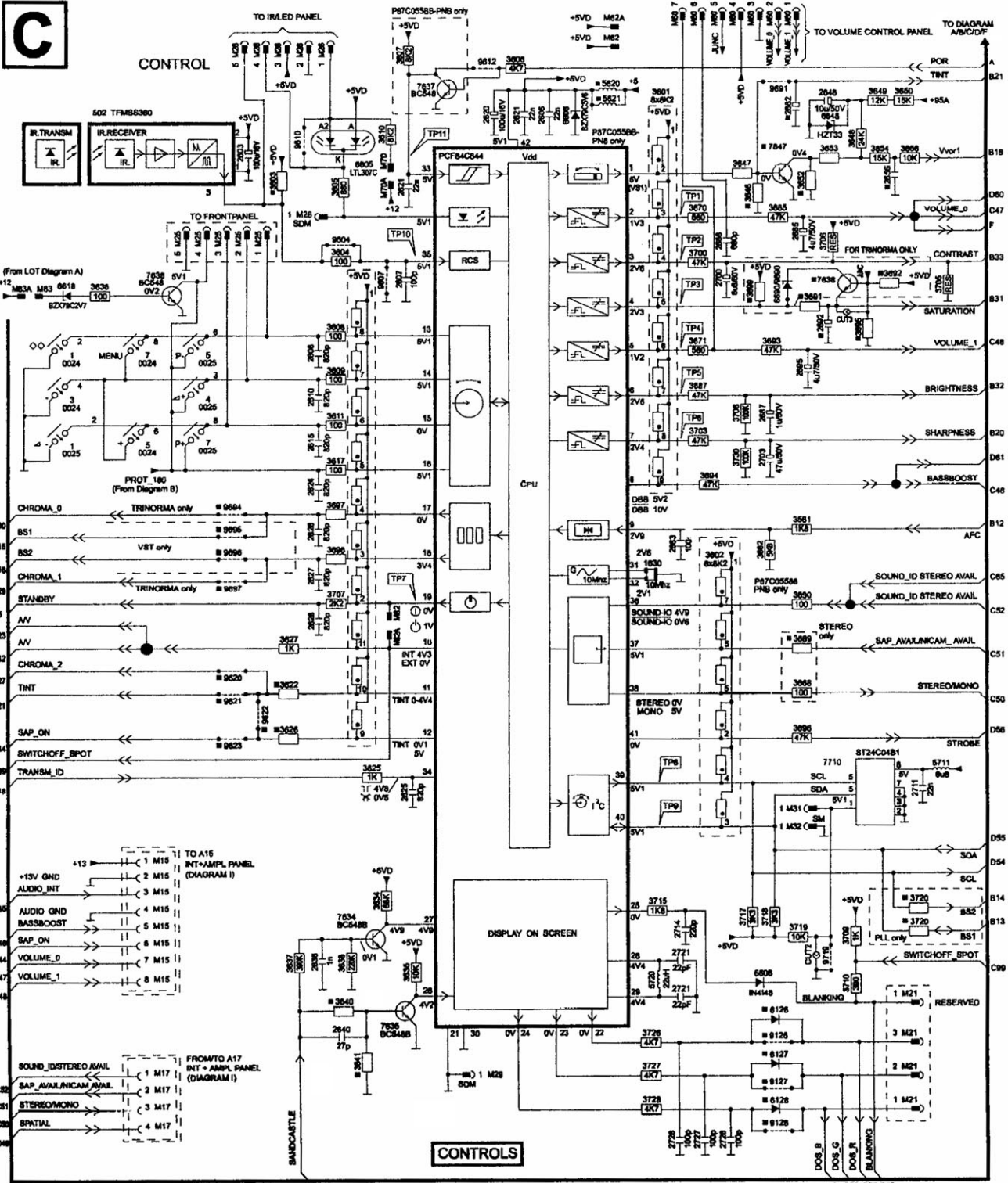
*	14'	20'	21'
2402	47n	100n	100n
2404	1500u	3300u	3300u
2415	22u	100u	100u
3402	390	22n	22n
3403	3K3	2K7	2K7
3404	2K2	1K5	1K5
3407	-	-	8K2
3411	2R7	1R8	1R8
3412	2R7	1R8	1R8
3413	-	-	220
3416	1K	470	470

**FRAME-OUTPUT**

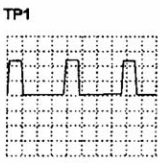


C

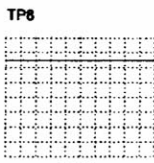
CONTROL



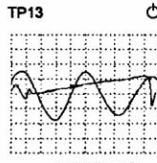
CONTROLS



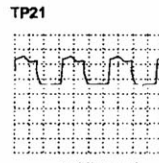
T=5 $\mu$ s  
 $\Delta v=2V$



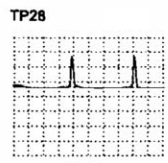
T=20ms  
 $\Delta v=2V$



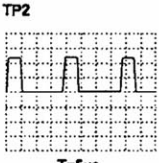
0,1V/div AC  
1 $\mu$ s div



0,5V/div AC  
20 $\mu$ s div



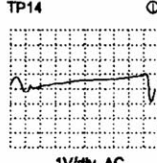
T=5ms  
 $\Delta v=10v$



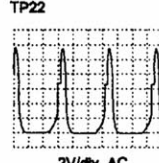
T=5 $\mu$ s  
 $\Delta v=2V$



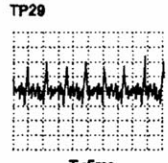
T=20ms  
 $\Delta v=2V$



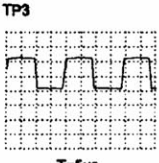
1V/div AC  
0,5 $\mu$ s div



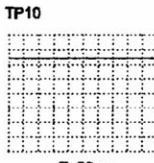
2V/div AC  
20 $\mu$ s div



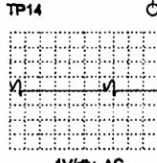
T=5ms  
 $\Delta v=10v$



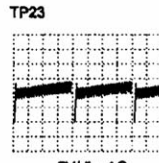
T=5 $\mu$ s  
 $\Delta v=2V$



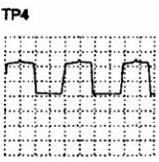
T=20ms  
 $\Delta v=2V$



1V/div AC  
5 $\mu$ s div



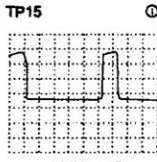
2V/div AC  
5ms div



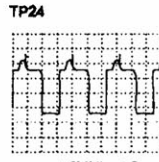
T=5 $\mu$ s  
 $\Delta v=2V$



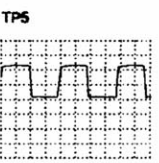
T=20ms  
 $\Delta v=2V$



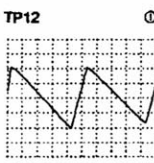
5V/div AC  
5 $\mu$ s div



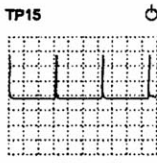
0,2V/div AC  
20 $\mu$ s div



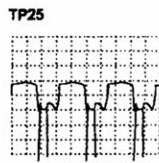
T=5 $\mu$ s  
 $\Delta v=2V$



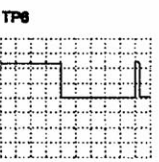
2V/div AC  
2ms div



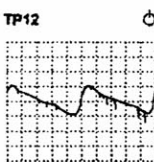
5V/div AC  
10 $\mu$ s div



1V/div AC  
20 $\mu$ s div

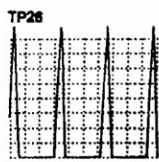


T=20ms  
 $\Delta v=2V$



0,5V/div AC  
2ms div

⊙ TP16 = DC 18V



100V/div AC  
20 $\mu$ s div

⊙ TP16 = DC 17V5

⊙ TP17 = DC 2V2

⊙ TP17 = DC 2V5

⊙ TP18 = DC 8V

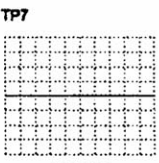
⊙ TP18 = DC 8V

⊙ TP19 = DC 13V

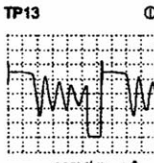
⊙ TP19 = DC 13V

⊙ TP20 = DC 118V

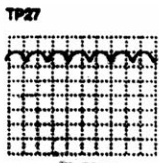
⊙ TP20 = DC 123V



T=20ms  
 $\Delta v=2V$



100V/div AC  
5 $\mu$ s div

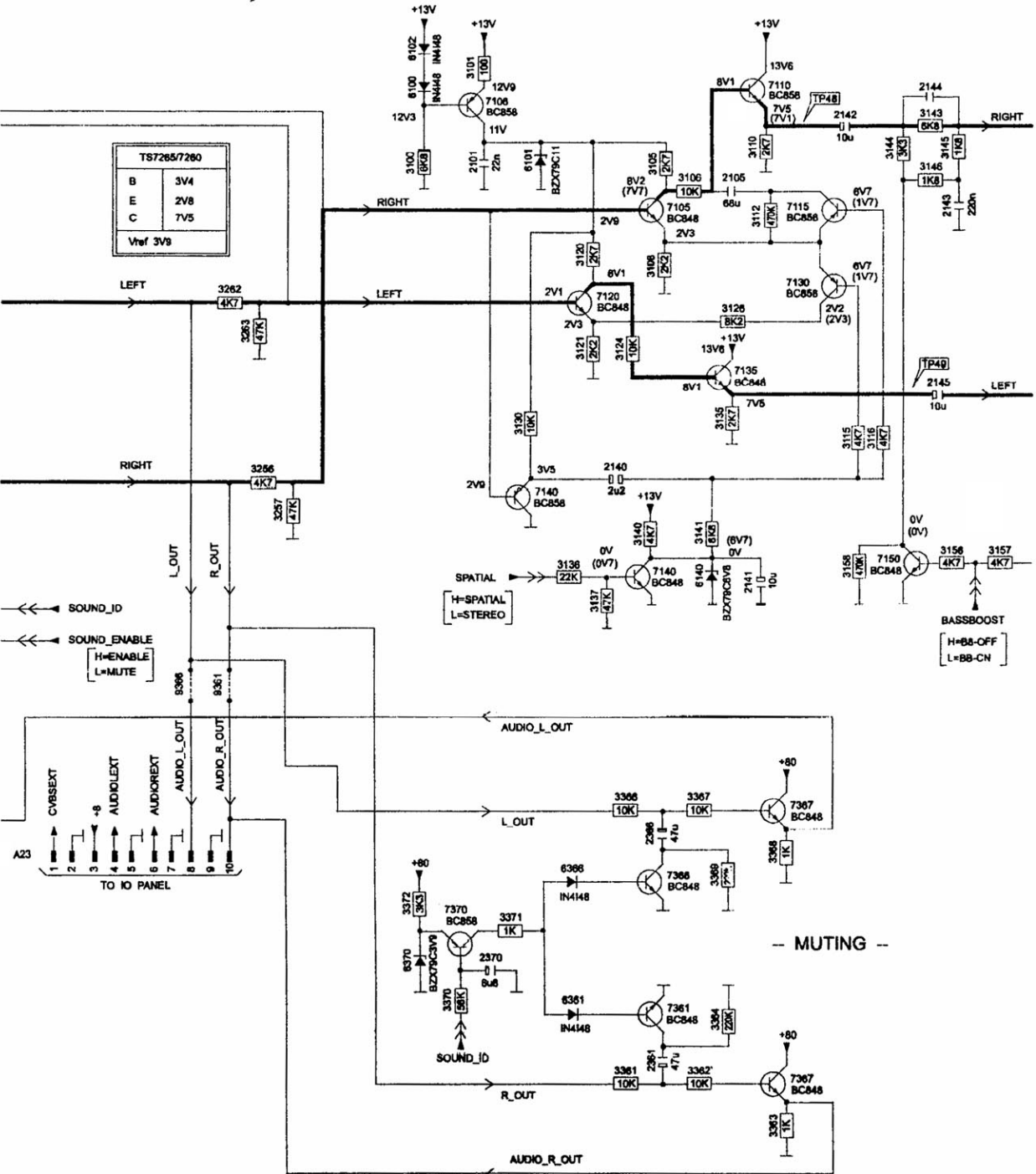
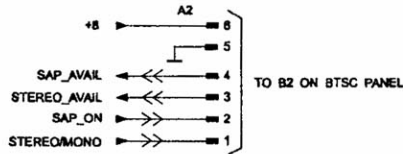
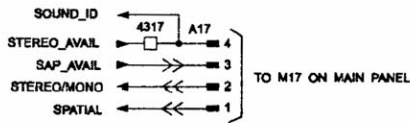


100V/div AC  
2ms div

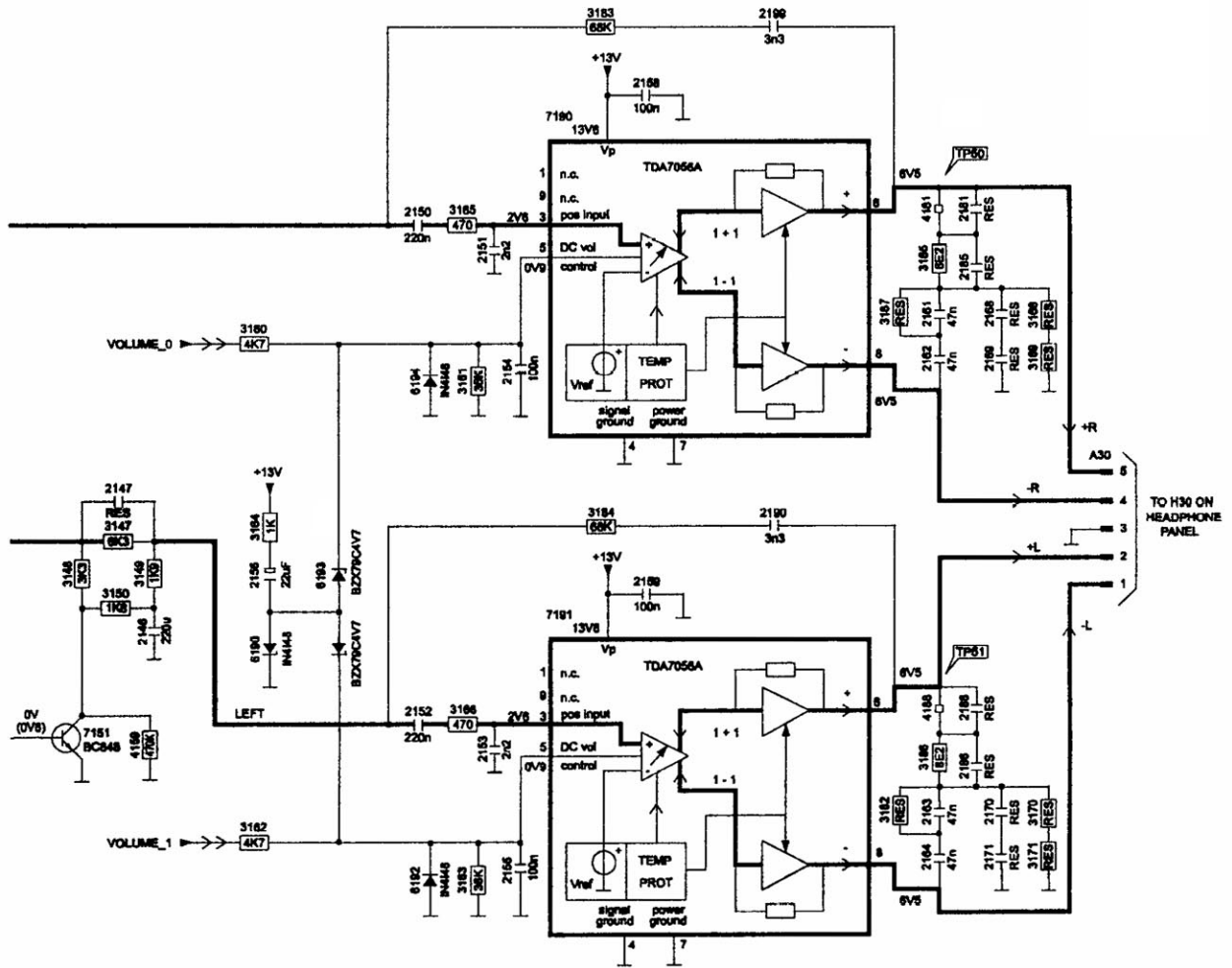
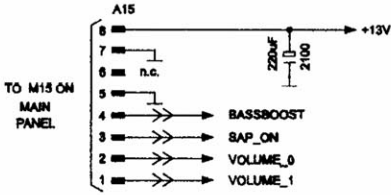




# SPATIAL + BASSBOOST



# STEREO AMPLIFIER

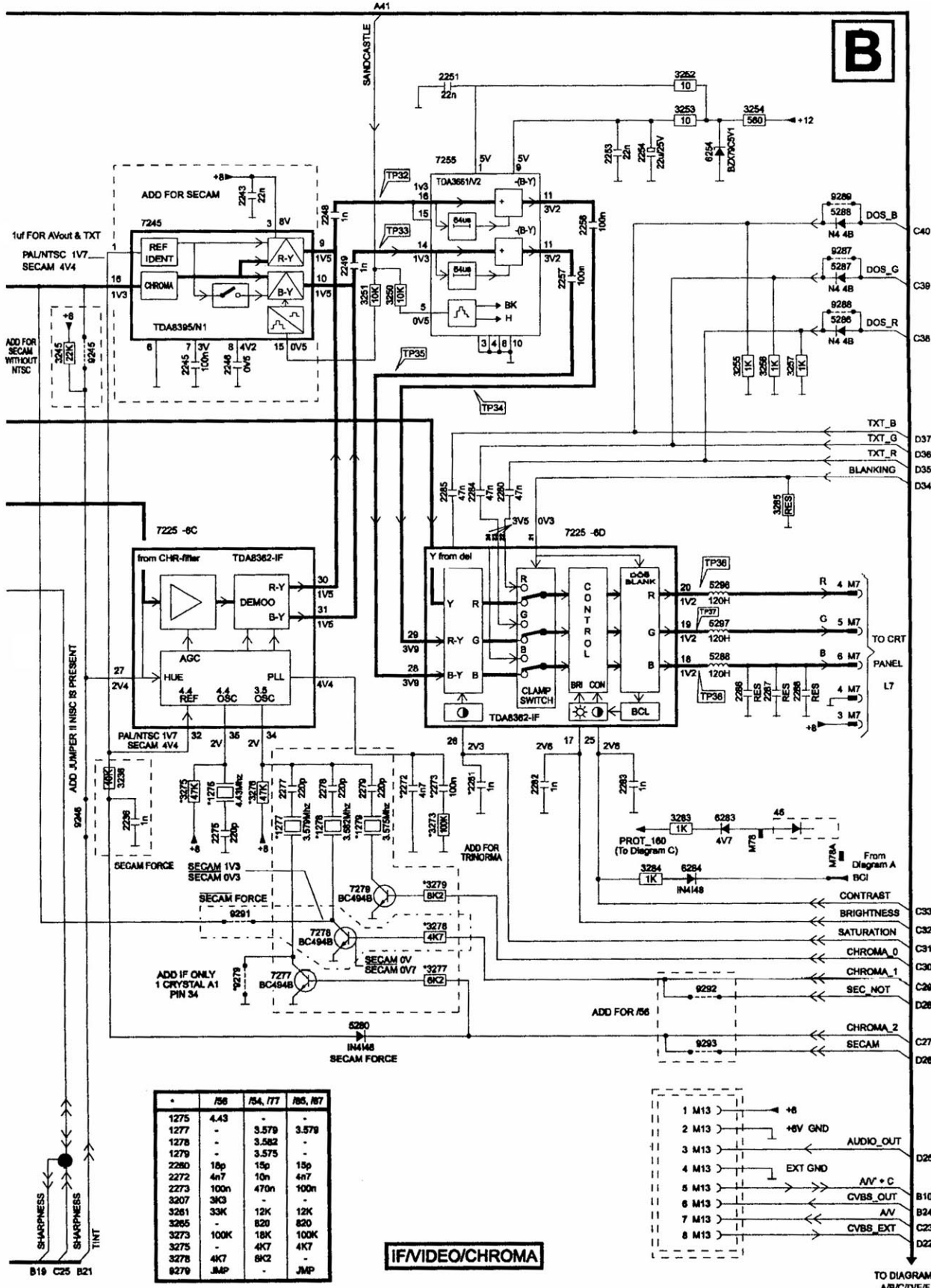


Muting circuitry	SOUND_ID = 4V9 No mute	SOUND_ID = 0V8 Mute
TS7370	B 4V9	2V
	E 3V2	2V7
	C 0V	2V6
TS7366/7361	B 0V	0V8
	E 0V	0V
	C 0V	0V
TS7367/7362	B 2V8	2V8
	E 2V1	2V1
	C 2V9	7V9



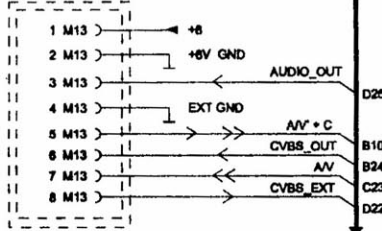


**B**



	R56	R5A, R77	R5S, R87
1275	4.43	-	-
1277	-	3.579	3.579
1278	-	3.582	-
1279	-	3.575	-
2280	18p	15p	18p
2272	4n7	10n	4n7
2273	100n	470n	100n
3207	3K3	-	-
3281	33K	12K	12K
3285	-	820	820
3273	100K	18K	100K
3275	-	4K7	4K7
3278	4K7	8K2	-
9279	JMP	-	JMP

**IF/VIDEO/CHROMA**



TO DIAGRAM A/B/C/D/E/F

B19 C25 B21

C40

C39

C38

D37

D36

D35

D34

TO CRT

PANEL

L7

C33

C32

C31

C30

C29

D28

C27

D26

D25

B10

B24

C23

D22